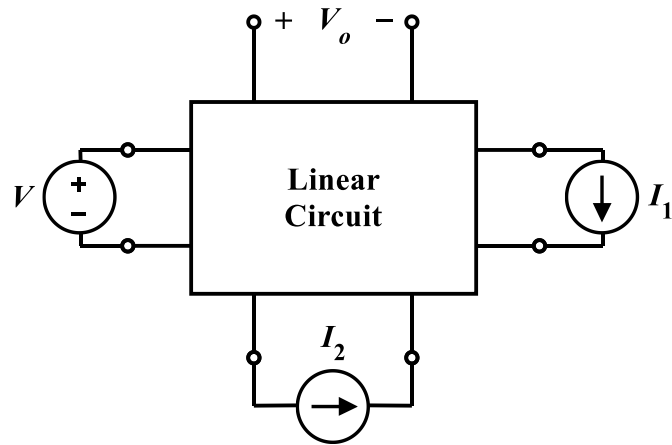


EE 2240
Homework Problem #033



$V_o = 20\text{ V}$ when $V = 2\text{ V}$, $I_1 = 0\text{ A}$ and $I_2 = 2\text{ A}$.

$V_o = 30\text{ V}$ when $V = 5\text{ V}$, $I_1 = 2\text{ A}$ and $I_2 = 1\text{ A}$.

$V_o = 50\text{ V}$ when $V = 6\text{ V}$, $I_1 = 3\text{ A}$ and $I_2 = 5\text{ A}$.

What will V_o be when $V = 5\text{ V}$, $I_1 = 3\text{ A}$ and $I_2 = 4\text{ A}$?